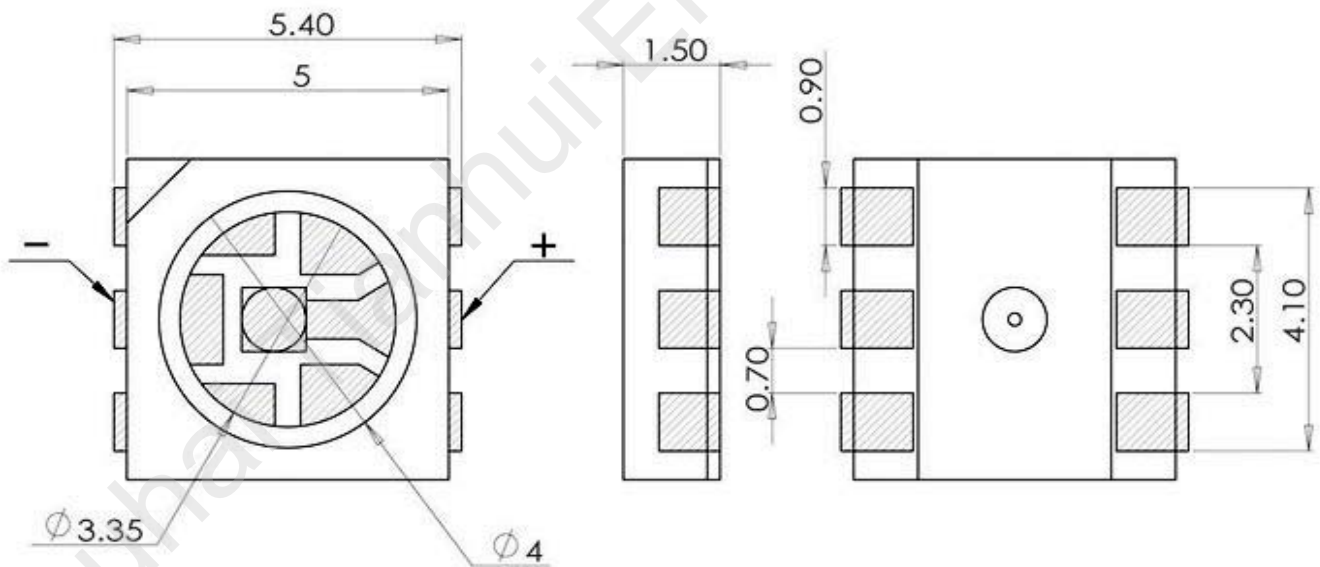


TH-UV310-5050



CAUTION
OBSERVE PRECAUTIONS
FOR HANDLING
ELECTROSTATIC
DISCHARGE
SENSITIVE
DEVICES



Note: Product picture & dimensions are for reference only. Detailed information is in accordance with the final product.

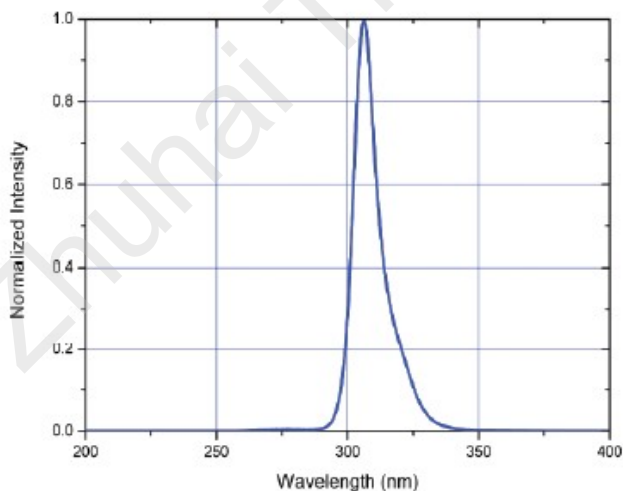
1. Absolute Maximum Ratings at $T_A = 25^\circ\text{C}$

	Unit	Max
Input Power	mW	200
Operation Current (CW)	mA	25
Operation Current (Pulsed $<5\mu\text{s}$, 1kHz)	mA	100
Operation Voltage	V	8 (CW), 10 (Pulsed)
Operation Temperature	$^\circ\text{C}$	-30~+55
Storage Temperature	$^\circ\text{C}$	-30~+55
Humidity (for non-hermetically sealed LED)	%	0~ 80

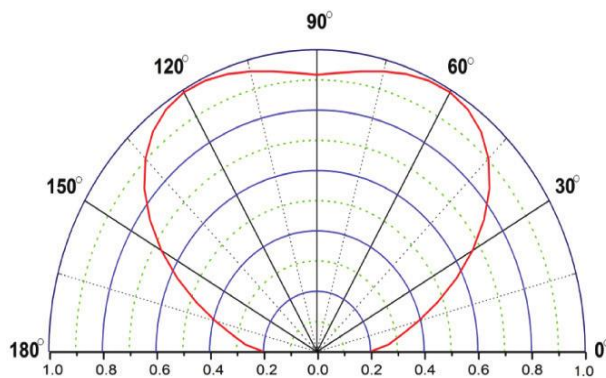
2. Typical Electrical & Optical Characteristics at $T_A = 25^\circ\text{C}$

Wavelength (nm)	Part No.	Dimension (mm)	Optical Output Power P_o [mW]		Voltage V_F [V]		Viewing Angle 2θ [%] [$^\circ$]
			$I_F/20\text{mA}$		min	max	
			min	max			
310 ± 3	TH-UV310-5050-A	$5.4*5*1.6$	0.5	1.0	5.3-5.9		140
310 ± 3	TH-UV310-5050-B	$5.4*5*1.6$	1.0	1.5	5.3-5.9		140

3. Optical Characteristics ($T=25^\circ\text{C}$, $I_F=20\text{mA}$)

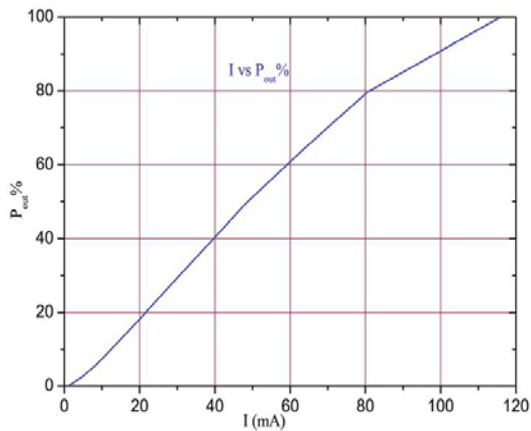


Spectrum

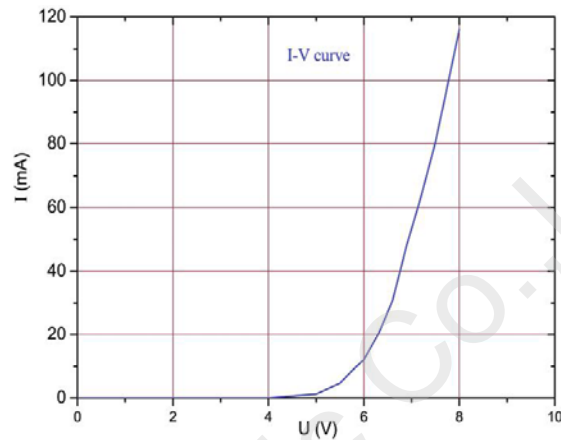


Radiation Patten

4. Electrical Characteristics (T=25°C, I_F= 20mA)



Relative Output v. Current



I-V Characteristics

Features:

- ✓ Environmental friendly : No Hg, Cd, Br, Pb
- ✓ Physical sterilization process : High Sterilizing Rate
- ✓ Low energy consumption
- ✓ Long service life

Other Remarks

1. Do not touch the surface of the led, in case to influence the normal emitting.
2. Make sure the right positive and negative pole.
3. Do not watch closely, it is harmful to your eyes.